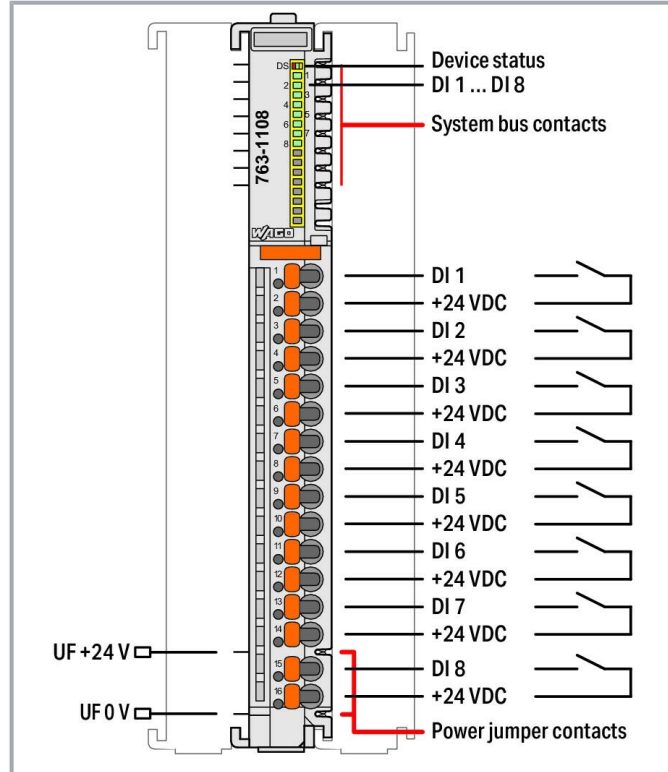
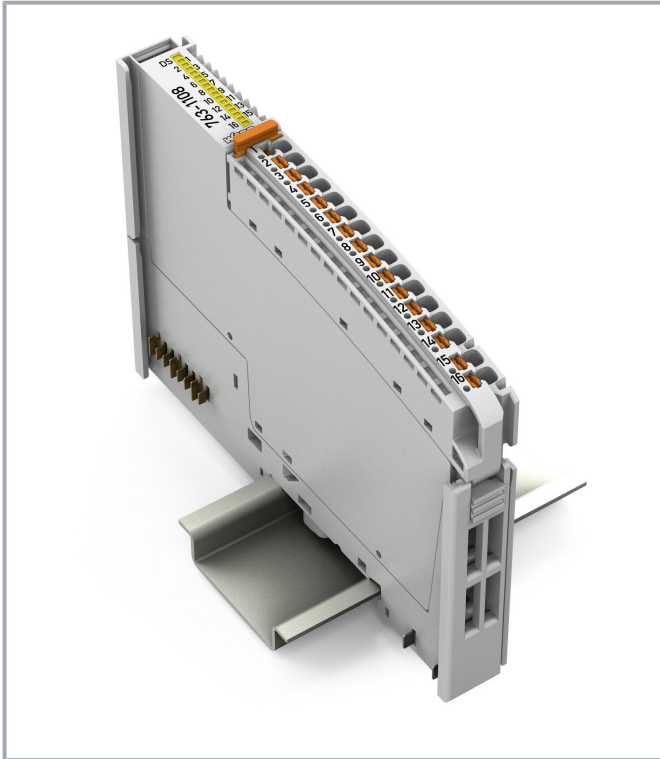


Data sheet | Item number: 763-1108
8-channel digital input; 24 VDC; High-Speed

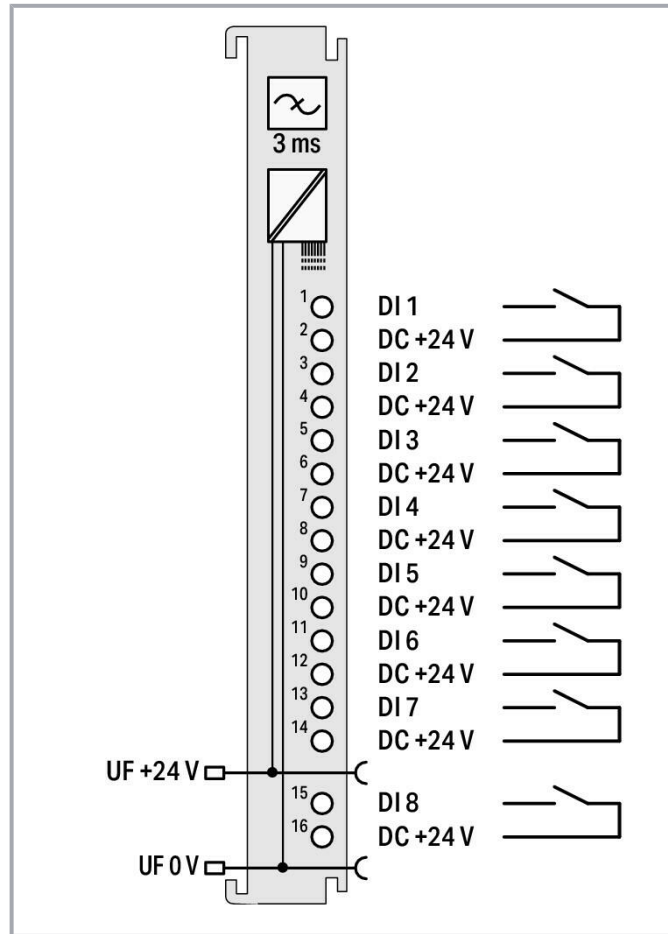
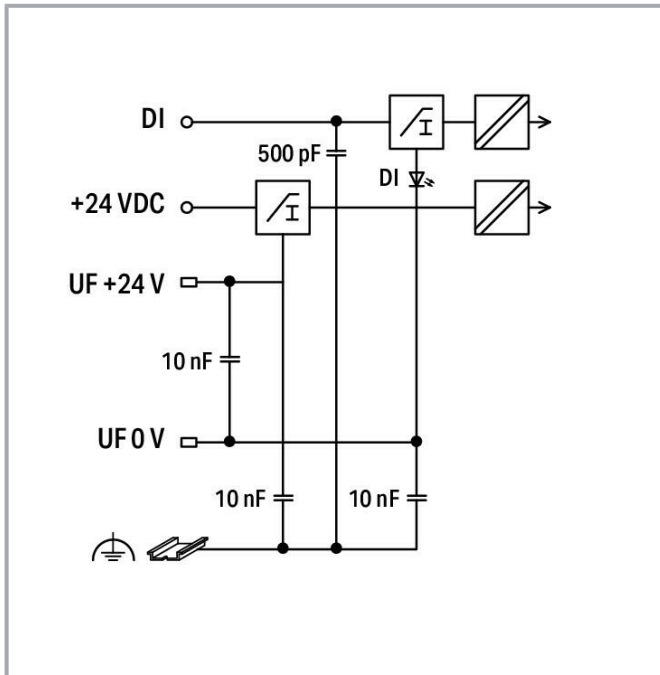
www.wago.com/763-1108



Subject to changes. Please also observe the further product documentation!

WAGO Corporation
Germantown, WI 53022
Phone: 1-800-DIN-RAIL (346-7245) | Fax: (262) 255-6222
Email: info.us@wago.com | Web: www.wago.us

Do you have any questions about our products?
We are always happy to take your call at (262) 255-6222 or 1 800-DIN-RAIL.



Item description

This three-part digital input module is a 2-wire device featuring eight channels in a width of just 12 mm (0.47 inch).

The module consists of a base module, an electronic module and a pluggable connector.

It receives binary control signals from digital field devices (e.g., sensors, encoders, switches or proximity sensors) with a short-circuit-proof sensor supply.

The module features Push-in CAGE CLAMP® connections enabling solid conductors to be connected by simply pushing them in.

A green LED indicates the signal state of each channel.

Field and system levels are electrically isolated.

Data

Technical data

Device-specific	Synchronization mode: time-synchronized, freewheeling
Number of digital inputs	8
Number of Channels	8
Signal type	Voltage

Subject to changes. Please also observe the further product documentation!

WAGO Corporation
 Germantown, WI 53022
 Phone: 1-800-DIN-RAIL (346-7245) | Fax: (262) 255-6222
 Email: info.us@wago.com | Web: www.wago.us

Do you have any questions about our products?
 We are always happy to take your call at (262) 255-6222 or 1 800-DIN-RAIL.



Voltage signal type	DC 24 V
Sensor connection	8 x (2-wire)
Input characteristic	High-side switching
Input characteristic	Type 3, per IEC 61131-2
Input filter	1 μ s
Input current at specific input voltage	2.4 mA at 24 V
Delay time T _{on} from 0 to 1	3 μ s
Delay time T _{off} from 1 to 0	6 μ s
Data width	8-bit channel status
Supply voltage (field)	24 VDC, SELV (-25 ... +30 %); UF
Power consumption, field supply (module with no external load)	14 mA
Power loss P _I	0.9 W
Isolation (field/system)	min. 1000 VDC (1 min); per EN/UL 61010-2-201
Dielectric strength	Up to \pm 35 V, at the digital input
Number of incoming power jumper contacts	2
Number of outgoing power jumper contacts	2
Current carrying capacity (power jumper contacts)	12 A
Marking	CI I, Div 2, Group A, B, C, D, T4

Connection data

Connection technology: inputs / outputs	16 x Push-in CAGE CLAMP®
Connection type (1)	Inputs/outputs
Solid conductor	0.25 ... 1.5 mm ² / 22 ... 16 AWG
Fine-stranded conductor	0.25 ... 1.5 mm ² / 22 ... 16 AWG
Strip length	8 ... 9 mm / 0.31 ... 0.35 inch
Note (conductor cross-section)	Insulated ferrule: 0.75 mm ² (max.)

Physical data

Width	12 mm / 0.472 inch
Height	105 mm / 4.134 inch
Depth	75 mm / 2.953 inch

Mechanical data

Mounting type	DIN-35 rail
---------------	-------------

Subject to changes. Please also observe the further product documentation!

WAGO Corporation
 Germantown, WI 53022
 Phone: 1-800-DIN-RAIL (346-7245) | Fax: (262) 255-6222
 Email: info.us@wago.com | Web: www.wago.us

Do you have any questions about our products?
 We are always happy to take your call at (262) 255-6222 or 1 800-DIN-RAIL.

Material data

Fire load	0.047 MJ
Weight	70 g
Conformity marking	CE

Environmental requirements


Surrounding air temperature (operation)	-25 ... 60 °C (horizontal, typical control cabinet installation; -25 ... +50 °C, other mounting positions)
Surrounding air temperature (storage)	-40 ... 85 °C
Temperature range of the connecting cable according to EN 61010-2-201	$\geq (T_{\text{surrounding air}} + 25 \text{ K})$
Temperature range of connecting cable per UL 61010-2-201 (min.)	85 °C
Protection type	IP20
Pollution degree (5)	2
Operating altitude	without temperature derating: 0 ... 2000 m; with temperature derating: 2000 ... 3000 m (0.5 K/100 m)
Mounting position	horizontal, typical for control cabinets (nominal mounting position); horizontal (floor mounting position); standing (vertical at bottom)
Relative humidity (without condensation)	95 %
EMC immunity to interference	per EN 61000-6-1, -2
EMC emission of interference	per EN 61000-6-3, -4

Commercial data

Packaging type	BOX
Country of origin	DE
GTIN	4055143975841
Customs tariff number	8538901000

Approvals / Certificates

Ex-Approvals

Logo	Approval	Additional Approval Text	Certificate name
	UL Underwriters Laboratories Inc. (HAZARDOUS LOCATIONS)	UL 121201	E198726


UL-Approvals

Subject to changes. Please also observe the further product documentation!

WAGO Corporation
Germantown, WI 53022
Phone: 1-800-DIN-RAIL (346-7245) | Fax: (262) 255-6222
Email: info.us@wago.com | Web: www.wago.us

Do you have any questions about our products?
We are always happy to take your call at (262) 255-6222 or 1 800-DIN-RAIL.



Logo	Approval	Additional Approval Text	Certificate name
	UL Underwriters Laboratories Inc. (ORDINARY LOCATIONS)	UL 61010-2-201	E175199

Optional accessories

Marking accessories

#	Item no.: 2009-141 Micro-WSB-Inline; 2000 pieces on roll; plain; snap-on type; white	www.wago.com/2009-141
---	--	--

Downloads

Documentation

System Description

I/O-System Advanced General Product Information	pdf 301.8 kB	Download
---	-----------------	----------

Installation Notes

Product family

I/O System Advanced
[Show all products from the family](#)

Subject to changes. Please also observe the further product documentation!

WAGO Corporation
Germantown, WI 53022
Phone: 1-800-DIN-RAIL (346-7245) | Fax: (262) 255-6222
Email: info.us@wago.com | Web: www.wago.us

Do you have any questions about our products?
We are always happy to take your call at (262) 255-6222 or 1 800-DIN-RAIL.